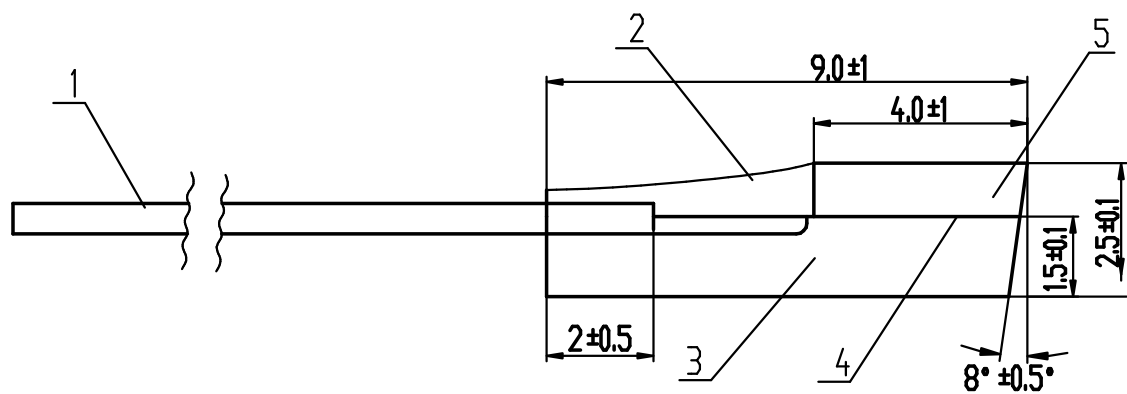


Section A-A

No.2: 橙/ Orange  
No.1: 蓝/ Blue

1.Top View  
Right Fiber NO.1(Blue)



2.Side View

表 1/Table1.

序号/PN	2 通道 FA 组成部分/2 CH FA Parts
1	带纤/Ribbon
2	2 号 UV 胶水/Adhesive UV-02
3	V 型槽/V-Groove
4	1 号 UV 胶水/Adhesive UV-01
5	盖板/Cover Lid

备注/Note :

- V 槽和盖板材质为石英或高硼硅  
The Material Of V-groove And Lid is Quartz Or High Borosilicate
- 光纤类型为 G.657A1 或客户指定  
The Type Of Fiber is G.657A1 Or Customized
- 光纤长度 : 1000±50, 或指定长度  
The Length Of Fiber is 1000±50, Or Customized
- 尾部可加连接器, 连接器型号 (Fiber Pigtail Connector Type) :  
FC/APC、FC/UPC、SC/UPC、SC/APC

苏州易缆微光电技术有限公司  
SuZhou Innovopto

绘图/ Drawn By	核对/Collated By	批准/Approved By	图名/Dwg Name		FA2-250图纸/2 CH FA DWG	
			单位/Unit	mm	比例/Scale	10:1
			日期/Date	2017.10.13	版次/Rev	B/0
			投影/Projection		图号/Dwg No	YLW-FA-001