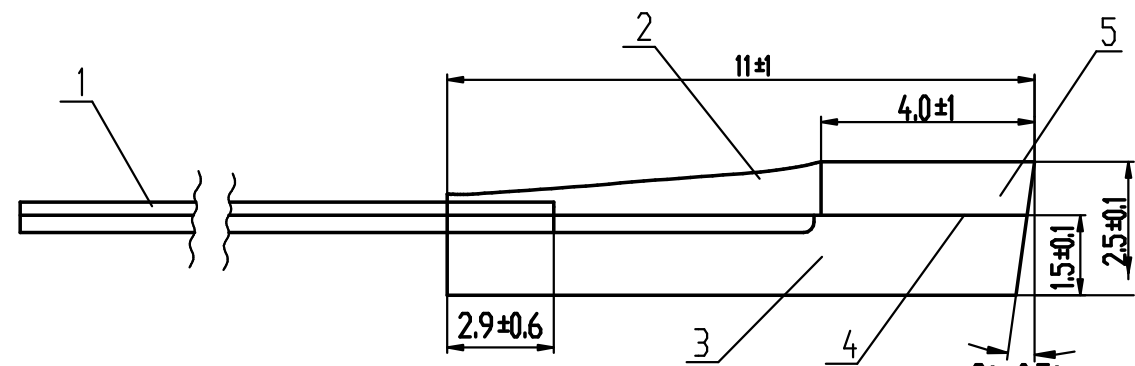


Section A'-A

- | | |
|------------------|------------------|
| No.31: 黑/ Black | No.32: 黑/ Black |
| No.29: 红/ Red | No.30: 红/ Red |
| No.27: 白/ White | No.28: 白/ White |
| No.25: 灰/ Gray | No.26: 灰/ Gray |
| No.23: 棕/ Brown | No.24: 棕/ Brown |
| No.21: 绿/ Green | No.22: 绿/ Green |
| No.19: 橙/ Orange | No.20: 橙/ Orange |
| No.17: 蓝/ Blue | No.18: 蓝/ Blue |
| No.15: 黑/ Black | No.16: 黑/ Black |
| No.13: 红/ Red | No.14: 红/ Red |
| No.11: 白/ White | No.12: 白/ White |
| No.9: 灰/ Gray | No.10: 灰/ Gray |
| No.7: 棕/ Brown | No.8: 棕/ Brown |
| No.5: 绿/ Green | No.6: 绿/ Green |
| No.3: 橙/ Orange | No.4: 橙/ Orange |
| No.1: 蓝/ Blue | No.2: 蓝/ Blue |

Top Right Fiber NO.1(Blue) 1.Top View



2.Side View

表 1/Table1.

序号/PN	32 通道 FA 组成部分/32CH FA Parts
1	带纤/Ribbon
2	2 号 UV 胶水/Adhesive UV-02
3	V 型槽/V-Groove
4	1 号 UV 胶水/Adhesive UV-01
5	盖板/Cover Lid

备注/Note :

- V 槽和盖板材质为石英或高硼硅
The Material Of V-groove And Lid is Quartz Or High Borosilicate
- 光纤类型为 G.657A1 或客户指定
The Type Of Fiber is G.657A1 Or Customized
- 光纤长度 : 1000±50, 或指定长度
The Length Of Fiber is 1000±50, Or Customized
- 尾部可加连接器, 连接器型号 (Fiber Pigtail Connector Type) :
FC/APC、FC/UPC、SC/UPC、SC/APC

苏州易缆微光电技术有限公司 SuZhou Innovopto	绘图/ Drawn By	核对/Collated By	批准/Approved By	图名/Dwg Name	FA32-127 图纸/32 CH FA DWG		
				单位/Unit	mm	比例/Scale	10:1
				日期/Date	2017.10.13	版次/Rev	B/0
				投影/Projection	第一角	图号/Dwg No	YLW-FA-007