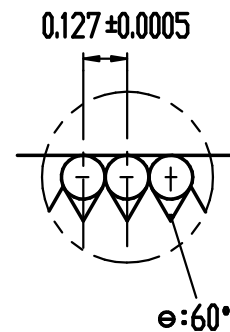


1.Top View

Top Right Fiber N0.1(Blue)



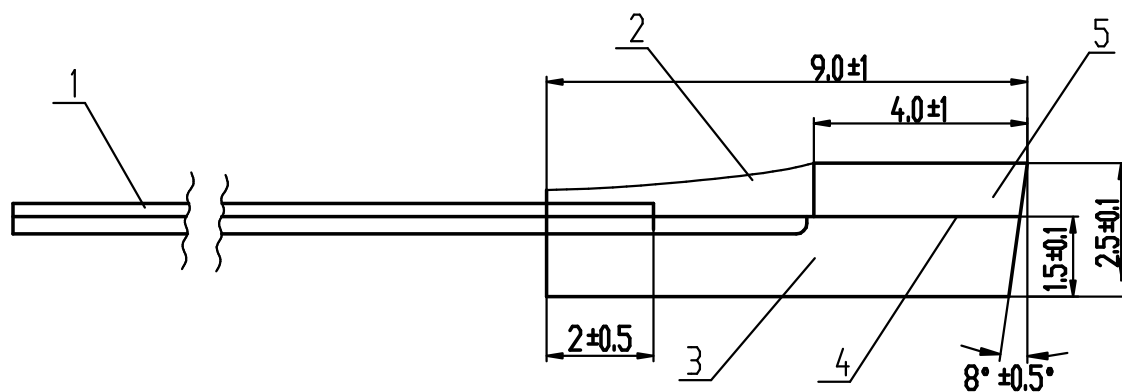
Section A'-A

No.7: 棕/ Brown
 No.5: 绿/ Green
 No.3: 橙/ Orange
 No.1: 蓝/ Blue

No.8: 棕/ Brown
 No.6: 绿/ Green
 No.4: 橙/ Orange
 No.2: 蓝/ Blue

表 1/Table1.

序号/PN	8 通道 FA 组成部分/8 CH FA Parts
1	带纤/Ribbon
2	2 号 UV 胶水/Adhesive UV-02
3	V 型槽/V-Groove
4	1 号 UV 胶水/Adhesive UV-01
5	盖板/Cover Lid



2.Side View

备注/Note :

- 1.V 槽和盖板材质为石英或高硼硅
 The Material Of V-groove And Lid is Quartz Or High Borosilicate
- 2.光纤类型为 G.657A1 或客户指定
 The Type Of Fiber is G.657A1 Or Customized
- 3.光纤长度 : 1000±50, 或指定长度
 The Length Of Fiber is 1000±50, Or Customized
- 4.尾部可加连接器, 连接器型号 (Fiber Pigtail Connector Type) :
 FC/APC、FC/UPC、SC/UPC、SC/APC

苏州易缆微光电技术有限公司
 SuZhou Innovopto

绘图/ Drawn By	核对/Collated By	批准/Approved By	图名/Dwg Name FA8-127 图纸/8 CH FA DWG			
			单位/Unit	mm	比例/Scale	10:1
			日期/Date	2017.10.13	版次/Rev	B/0
			投影/Projection		图号/Dwg No	YLW-FA-005